

**Bluewest.de**

info@Bluewest.de

**ADDRESS:**

Neuer Wall 71, c/o WorkRepublic

20354 Hamburg

Germany

**TEL & FAX:** +49 40 99 99 94 42 9



**BLUE WEST**  
GmbH

**HIGH COMPATIBILITY IP  
BASED FINGERPRINT READER**

**Access Solutions Consulting  
& Sales Company**

For impressive entrances  
For high quality solutions  
For many applications



# HIGH COMPATIBILITY IP BASED FINGERPRINT READER (FINGERPRINT / RFID / RFID + FINGERPRINT)

## BW-LX006 / BW-LX006SR

- Operation mode [RF, fingerprint, RF + fingerprint] switches over automatically according to the time schedule configured on the controller;
- Fingerprint enrollment management software (fingerprint enrollment pro / FREE version) enable the easy fingerprint enrollment;
- Fake fingerprint detection: auto on function & LIVE fingerprint detection;
- Designed to withstand ESD (electro static discharge) shock;
- Read output format: 26-bit wiegand (BW-LX006) / 34-bit wiegand (BW-LX006SR).

**BW-LX006**

**BW-LX006SR**



# HIGH COMPATIBILITY IP BASED FINGERPRINT READER (FINGERPRINT / RFID / RFID + FINGERPRINT)



## Key Features

### BW-LX006SRB

- BW-LX006: 125 KHz secure & credential format (IDC) proximity and fingerprint reader LX006SR: 13.56 MHz contactless smart card reader (iso14443 type A) and fingerprint reader;
- Identification mode: RF card, fingerprint, RF card + fingerprint;
- Operation mode (RF card, fingerprint, RF card + fingerprint) switches over automatically according to the time schedule configured on the controller;
- Voice guide output and multi-language support;
- Fingerprint registration: up to 5.000 users;
- ID card users: up to 10.000 users;
- ID only function for fingerprint unregistrable person;
- Easy fingerprint enrollment system;
- Fingerprint enrollment management software (fingerprint enrollment pro / FREE version) enable the easy fingerprint enrollment;
- User registration and deletion using the master card;
- Communication: TCP / IP, RS-485, RS-232 (for fingerprint template upload / download).

# HIGH COMPATIBILITY IP BASED FINGERPRINT READER (FINGERPRINT / RFID / RFID + FINGERPRINT)

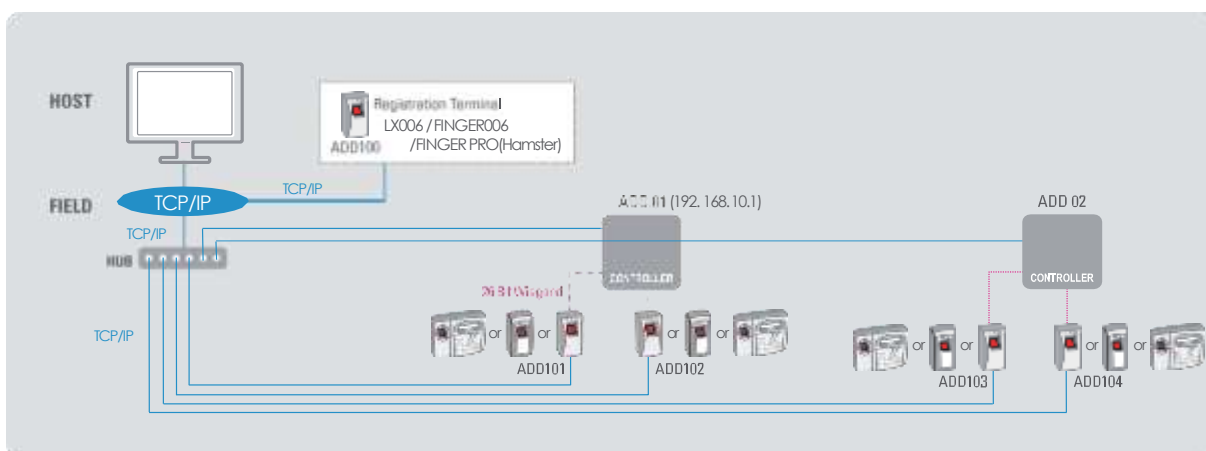


## Key Features

### BW-LX006SRB

- Read output format: 26-bit wiegand (BW-LX006) / 34-bit wiegand (BW-LX006SR);
- Able to scan fingerprint from any angle;
- Fake fingerprint detection: auto on function & LIVE fingerprint detection;
- Designed to withstand ESD (electro static discharge) shock;
- Compatible controllers: BW-iMDC, BW-iEDC, BW-iFDC, BW-iTDC, BW-iCON100, standalone controller, third party controller;
- Compatible software: BLUE WEST enterprise series, BLUE WEST standard series, BLUE WEST time pro, fingerprint enrollment pro (for third party controller).

## Configuration



# HIGH COMPATIBILITY IP BASED FINGERPRINT READER (FINGERPRINT / RFID / RFID + FINGERPRINT)



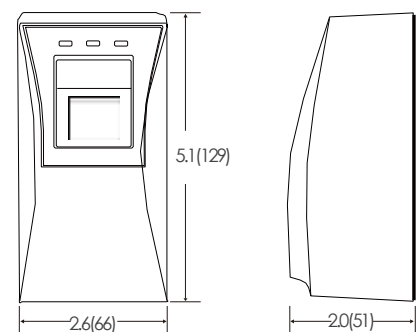
## Specifications

Model		BW-LX006	BW-LX006SR
CPU		Cortex-A5 528MHz, Dual 8bit Microprocessor	
Memory	Program	128 KByte Flash Memory	
	Data	256 Kbyte Flash Memory / 32 KByte SRAM	
Fingerprint User		Up to 5.000 Users	
Card ID User		10.000 Users (Including Fingerpring Registration)	
Radio Frequency (RF)		125 KHz Secure & Credential Fomat	13.56 MHz
Read Range (Compatible Card Type)		IDC80 / IDC170: Up to 4 Inch (10 cm) IMC125: Up to 2 Inch (5cm)	ISC80 / ISK50: Up to 4 Inch (10cm) IMC135: Up to 2 Inch (5cm)
Reading Time (Card)		30ms	
Verification Time		Less than 1 sec.	
Identification Time		Less than 2 sec.	
Fake Fingerprint Detection		Auto on Function & LIVE Fingerprint Detection	
Power / Current		DC +12V / Max.350mA	
Reader Data Output Format		26 Bit Wiegand (Controller ↔ Reader)	34 Bit Wiegand (Controller ↔ Reader)
Communication		TCP / IP, RS 232, RS 485 (Max. 32ch) / for Fingerprint Template Upload & Download (Software ↔ Reader)	
Communication Speed	TCP / IP	10 / 100 Mbps	
	Serial	57.600 bps (Default) / 9.600 bps / 19.200 bps / 38.400 bps / 115.200 bps (Selectable)	
Input Port		3 EA: LED / Buzzer / Operation Mode Control	
Output Port		3 EA: Error-Output, OK-Output, Tamper-Output (Open Collector)	
Tamper Switch		1 EA	
Voice		Default: English (Optional: Korean, Spanish, Chinese, Russian, Italian, Japanese)	
LED / Buzzer		3 Array LED Indicators (Red / Green / Yellow) / Piezo Buzzer	
Operating Temperature		Fingerprint Module: -20°C ~ +60°C (-4°F ~ 140°F) RF Reader: -35°C ~ +65°C (-31°F ~ +149°F)	
Operating Humidity		10% ~ 90% Relative Humidity, Non - Condensing	
Color / Material		Black / Polycarbonate & ABS	
Dimension (W x H x T) / Weight		69 x 127 x 43 mm (2.71" x 5" x 1.69") / 230 g	
Certification		FCC, CE, KCC, RoHs	

### Fingerprint Module Specification

Resolution	500 dpi
Capture Image Size	640 x 480 pixels
Extract Image Size	260 x 300 pixels
Sensor Area	13.2 mm X 15.2 mm
Scanner	High Quality Optical Sensor
FAR / FRR	0.001% / 0.1%
ESD Tolerance	±8 KV
Encryption	AES 128 bit

Inch(mm)



Thank you for your attention