

**Bluewest.de**

info@Bluewest.de

**ADDRESS:**

Neuer Wall 71, c/o WorkRepublic

20354 Hamburg

Germany

**TEL & FAX:** +49 40 99 99 94 42 9



**BLUE WEST**  
GmbH

13.56 MHz SECURE AND CREDENTIAL FORMAT  
IP BASED FINGERPRINT READER

Access Solutions Consulting  
& Sales Company

For impressive entrances  
For high quality solutions  
For many applications



## 13.56 MHz SECURE AND CREDENTIAL FORMAT IP BASED FINGERPRINT

### BW-LX006SRS

- Highly secured digital encryption contactless smart card reader & fingerprint reader;
- Operation mode [RF, fingerprint, RF + fingerprint] switches over automatically according to the time schedule configured on the controller;
- Communication: TCP / IP, RS-485, RS-232;
- 34-bit wiegand reader data output.



### BW-LX006SRS

Secure & credential smart card &  
fingerprint reader

Easy fingerprint enrollment

High compatibility

## 13.56 MHz SECURE AND CREDENTIAL FORMAT IP BASED FINGERPRINT

### Key Features



#### BW-LX006SRS

- Highly secured digital encryption contactless smart card reader & fingerprint reader;
- Identification mode: smart card, fingerprint, smart card + fingerprint;
- Operation mode (smart card, fingerprint, smart card + fingerprint) switches over automatically according to the time schedule configured on the controller;
- Voice guide output and multi-language support;
- Fingerprint registration: up to 5.000 users;
- ID card users: up to 10.000 users;
- ID only function for fingerprint unregistrable person;
- Easy fingerprint enrollment system;
- Fingerprint enrollment management software (fingerprint enrollment pro / FREE version) enable the easy fingerprint enrollment;
- User registration and deletion using the master card;
- Communication: TCP / IP, RS-485, RS-232 (for fingerprint template upload / download);
- Read output format: 34-bit wiegand;
- Able to scan fingerprint from any angle;
- Fake fingerprint detection: auto on function & LIVE fingerprint detection;
- Designed to withstand ESD (electro static discharge) shock;
- Compatible controllers: BW-iMDC, BW-iEDC, BW-iFDC, BW-iTDC, BW-iCON100, standalone controller, third party controller;
- Compatible software: BLUE WEST enterprise series, BLUE WEST standard series, BLUE WEST time pro, fingerprint enrollment pro (for third party controller).

# 13.56 MHz SECURE AND CREDENTIAL FORMAT IP BASED FINGERPRINT

## Specifications



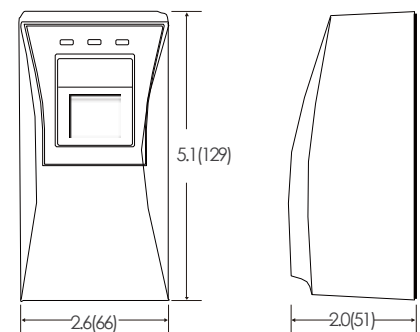
### Specifications

Model	BW-LX006SRS	
CPU	32 bit ARM9, 8 bit and 16 bit Micriprocessor	
Memory	Program	128 KByte Flash Memory
	Data	256 Kbyte Flash Memory / 32 KByte SRAM
Fingerprint User	Up to 5.000 Users	
Card ID User	10.000 Users (Including Fingerprinting Registration)	
Radio Frequency (RF)	13.56 MHz	
Read Range (Compatible Card Type)	ISC80S / ISK50S: Up to 4 Inch (10 cm) IMC135S: Up to 2 Inch (5 cm)	
Reading Time (Card)	30 ms	
Verification Time	Less than 1 sec.	
Identification Time	Less than 2 sec.	
Fake Fingerprint Detection	Auto on Function & LIVE Fingerprint Detection	
Power / Current	DC +12V / Max.310 mA	
Reader Data Output Format	34 Bit Wiegand (Controller ↔ Reader)	
Communication	TCP / IP, RS-232, RS-485 (Max. 32ch) / for Fingerprint Template Upload & Download (Software ↔ Reader)	
Communication Speed	TCP / IP	10 / 100 Mbps
	Serial	57.600 bps (Default) / 9.600 bps / 19.200 bps / 38.400 bps / 115.200 bps (Selectable)
Input Port	3 EA: LED / Buzzer / Operation Mode Control	
Output Port	3 EA: Error-Output, OK-Output, Tamper-Output (Open Collector) / DC12 V~18 V, Rating Max.2 A	
Tamper Switch	1 EA	
Voice	Default: English (Optional: Korean, Spanish, Chinese, Russian, Italian, Japanese)	
LED / Buzzer	3 Array LED Indicators (Red / Green / Yellow) / Piezo Buzzer	
Operating Temperature	Fingerprint Module: -20°C ~ +60°C (-4°F ~ 140°F)	
	RF Reader: -35°C ~ +65°C (-31°F ~ +149°F)	
Operating Humidity	10% ~ 90% Relative Humidity, Non - Condensing	
Color / Material	Black / Polycarbonate & ABS	
Dimension (W x H x T) / Weight	69 x 127 x 43 mm (2.71" x 5" x 1.69") / 230 g	
Certification	FCC, CE, KCC, RoHs	

### Fingerprint Module Specification

Resolution	500 dpi
Capture Image Size	640 x 480 pixels
Extract Image Size	260 x 300 pixels
Sensor Area	13.2 mm X 15.2 mm
Scanner	High Quality Optical Sensor
FAR / FRR	0.001% / 0.1%
ESD Tolerance	±8 KV
Encryption	AES 128 bit

Inch(mm)



Thank you for your attention