

Bluewest.de

info@Bluewest.de

ADDRESS:

Neuer Wall 71, c/o WorkRepublic

20354 Hamburg

Germany

TEL & FAX: +49 40 99 99 94 42 9



BLUE WEST
GmbH

**HIGH COMPATIBILITY
FINGERPRINT READER**

**Access Solutions Consulting
& Sales Company**

For impressive entrances
For high quality solutions
For many applications



HIGH COMPATIBILITY FINGERPRINT READER (FINGERPRINT / RFID / RFID + FINGERPRINT)

BW-FGR006 / BW-IP-FGR006 / BW-FGR006SR

- Able to scan fingerprint from any angle;
- Fingerprint enrollment management software (fingerprint enrollment pro / free version) enable the easy fingerprint enrollment;
- Fake fingerprint detection: auto on function & live fingerprint detection;
- Designed to withstand ESD (electro static discharge) shock;
- Read output format: 26-bit wiegand (BW-LX006 / BW-IP-FGR006) / 34bit wiegand (BW-LX006SR).

BW-FGR006

BW-IP-FGR006

BW-FGR006SR



HIGH COMPATIBILITY FINGERPRINT READER (FINGERPRINT / RFID / RFID + FINGERPRINT)

Key Features



BW-FGR006 / BW-IP-FGR006 / BW-FGR006SR

- BW-FGR006: 125 KHz secure & credential format (IDC) proximity and fingerprint reader;
- BW-IP-FGR006: 125 KHz EM(ASK) format proximity and fingerprint reader;
- BW-FGR006SR: 13.56 MHz contactless smart card reader (iso14443 type A) and fingerprint reader;
- Operation mode: RFID, fingerprint, RFID + fingerprint;
- Fingerprint registration: up to 5.000 users;
- ID only function for fingerprint unregistrable person;
- Easy fingerprint enrollment system;
- Fingerprint enrollment management software (fingerprint enrollment PRO /FREE version) enable the easy fingerprint enrollment;
- User registration and deletion using the master card;
- Off-line add / delete function using master card;
- Communication: RS-485, RS-232, TCP / IP (required external TCP / IP converter) (for fingerprint template upload / download);
- Read output format: 26-bit wiegand (BW-FGR006 / BW-IP-FGR006) / 34bit wiegand (BW-FGR006SR).

HIGH COMPATIBILITY FINGERPRINT READER (FINGERPRINT / RFID / RFID + FINGERPRINT)



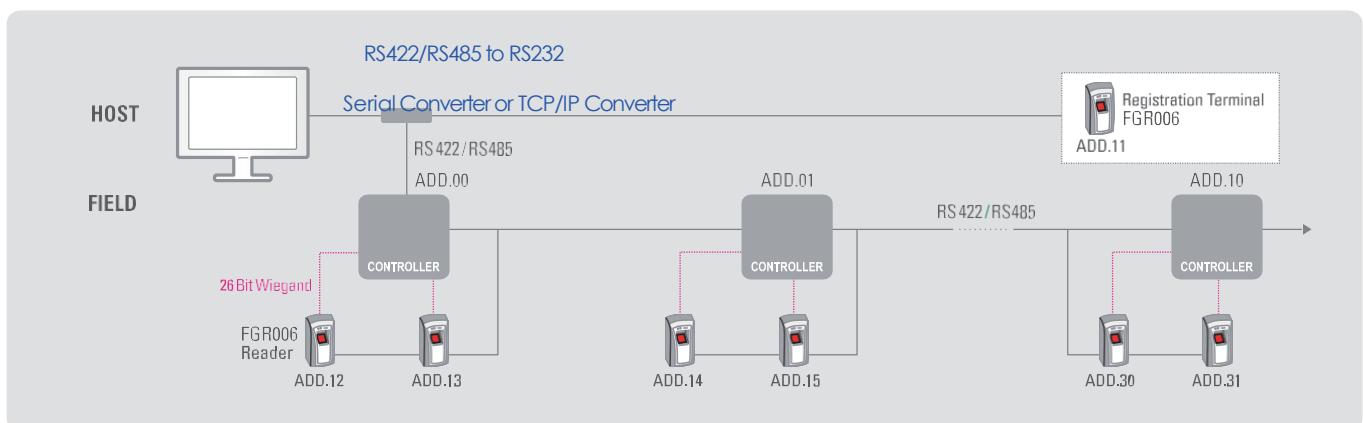
Key Features

BW-FGR006 / BW-IP-FGR006 / BW-FGR006SR

- Able to scan fingerprint from any angle;
- Fake fingerprint detection: auto on function & LIVE fingerprint detection;
- Designed to withstand ESD (electro static discharge) shock;
- Compatible controllers: BW-iMDC, BW-iEDC, BW-iFDC, BW-iTDC, BW-iCON100, standalone controller, third party controller;
- Compatible software: BLUE WEST enterprise series, BLUE WEST standard series, BLUE WEST time pro, fingerprint enrollment pro (for third party controller).

Configuration

- Controller with fingerprint reader (serial or TCP / IP communication).



HIGH COMPATIBILITY FINGERPRINT READER (FINGERPRINT / RFID / RFID + FINGERPRINT)



Specifications

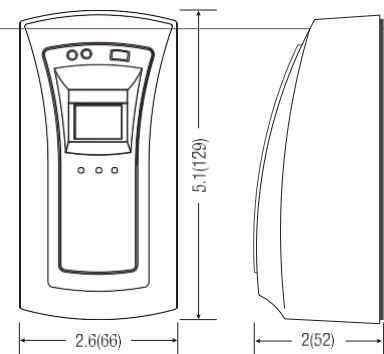
Specifications

Model	BW-FGR006		BW-IP-FGR006	BW-FGR006SR
CPU	32 bit ARM9, Dual 8 bit Microprocessor			
Memory	Program	128 KByte Flash Memory		
	Data	256 KByte Flash Memory, 4 KByte SRAM		
Fingerprint User	Up to 5.000 Users			
Fingerprint Templates Size	800 Bytes for 2 Fingerprint Templates			
Radio Frequency (RF)	125 KHz Secure & Credential Format	125 KHz EM (ASK)	13.56 MHz	
Read Range (Compatible Card Type)	IDC80 / IDC170: Up to 4 Inch (10 cm) IDK50: Up to 2 Inch (5 cm)	IPC80 / IPC170: Up to 4 Inch (10 cm) IPK125: Up to 2 Inch (5 cm)	ISC80: Up to 4 Inch (10 cm) ISK50 / IMC135: Up to 2 Inch (5 cm)	
Reading Time (Card)	30 ms			
Verification Time	Less than 1 sec.			
Identification Time	Less than 2 sec.			
Fake Fingerprint Detection	Auto on Function & LIVE Fingerprint Detection			
Power / Current	DC +12 V / Max.350 mA			
Reader Data Output Format	26 Bit Wiegand (Controller ↔ Reader)			34 Bit Wiegand (Controller ↔ Reader)
Communication	RS 232, RS 485 (Max. 32 ch), TCP / IP (Required External TCP / IP Converter) / for Fingerprint Template Upload & Download (Software ↔ Reader)			
Communication Speed	TCP / IP	10 / 100 Mbps		
	Serial	9.600bps (default) / 4.800bps / 19.200bps / 38.400bps (selectable)		
Input Port	2EA: External LED Control, External Buzzer Control			
Output Port	3EA: Error-Output , OK-Output, Temper-Output (Open Collector Output)			
Tamper Switch	1 EA			
LED / Buzzer	3 Array LED Indicators / Piezo Buzzer			
Operating Temperature	Fingerprint Module: -20°C ~ +60°C (-4°F ~ 140°F)			
	RF Reader: -35°C ~ +65°C (-31°F ~ +149°F)			
Operating Humidity	10% ~ 90% Relative Humidity, Non - Condensing			
Color / Material	Dark gray / Polycarbonate			
Dimension (W x H x T) / Weight	66 x 129 x 52 mm (2.6" x 5.1" x 2") / 259.5 g (0.57 lbs)			
Certification	FCC, CE, KCC, RoHS			

Fingerprint Module Specification

Resolution	500 dpi
Image Size	248 x 292 pixels
Sensor Area	13.2 mm X 15.2 mm
Scanner	High Quality Optical Sensor
FAR / FRR	0.001% / 0.1%
ESD Tolerance	±8 KV
Encryption	SEED

Inch (mm)



Thank you for your attention